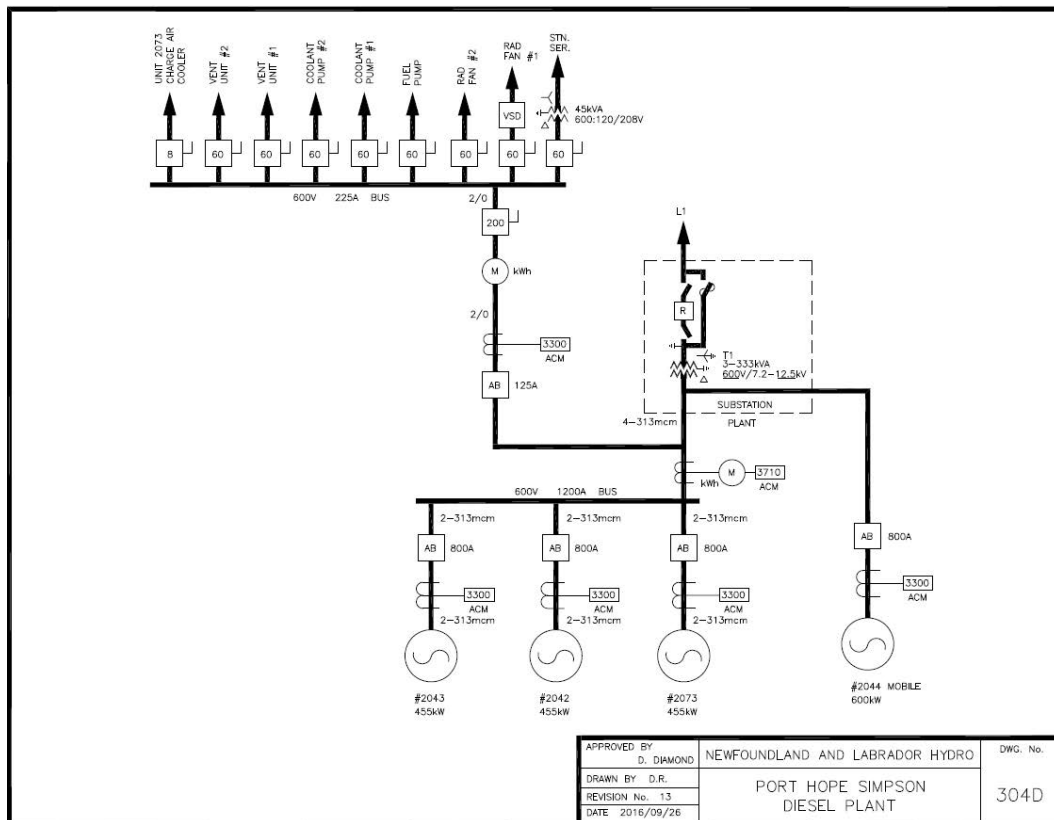


1 Q. Tab 14; Volume II: Diesel Genset Replacements Port Hope Simpson and  
 2 Charlottetown, Labrador  
 3 Please update the Single Line Diagrams in Appendix A and Appendix C to reflect the  
 4 existing genset ratings provided on page 8.

5  
 6  
 7 A. Hydro notes that the most up to date version of the single line diagrams for Port  
 8 Hope Simpson and Charlottetown were not included in the application.

9  
 10 Port Hope Simpson’s Single Line Diagram:



11 In Port Hope Simpson, the mobile unit, 2044, is connected to the system; however,  
 12 this unit is an emergency mobile unit that can be dispatched to other locations at

1 any time. Therefore, this unit is not considered when calculating Port Hope  
 2 Simpson's firm capacity.

3

4 Charlottetown's Single Line Diagram:

