

1 Q. Please provide Figure 3 on page 4 of the Teshmont Report using 2018 peak case.

2

3

4 A. The information requested is provided in the following table.

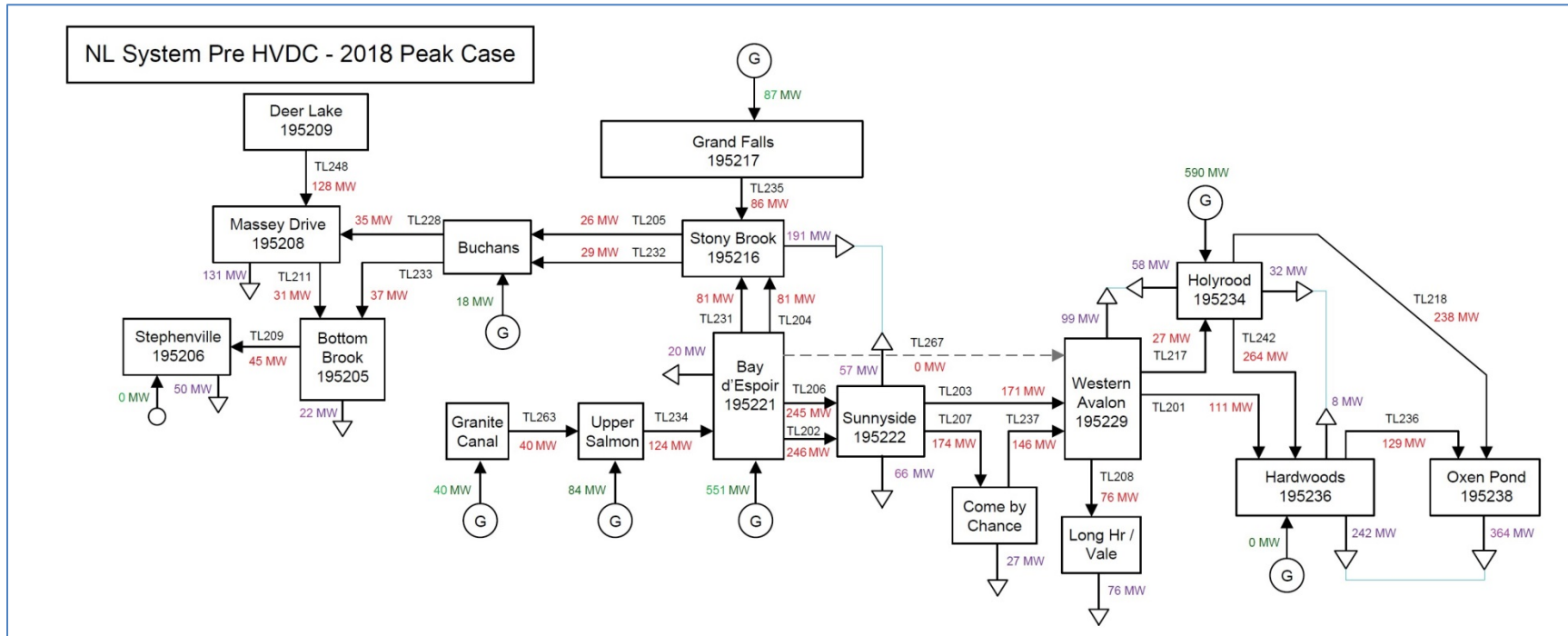


Figure 1 – Major generation, load and transmission in the IIS before the HVDC links (existing state) with 2018 loads